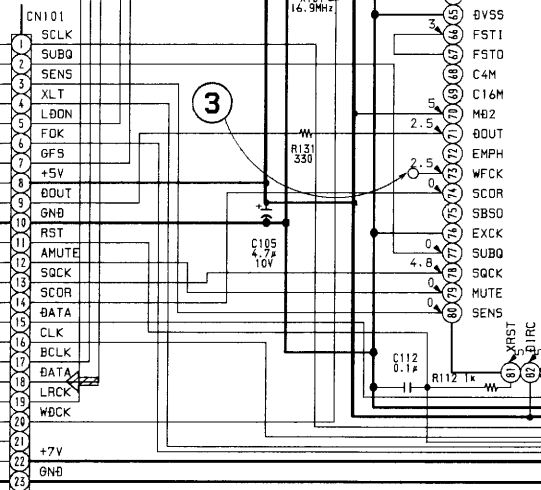


D TO MAIN BOARD (3/3) CN201 See page 28)



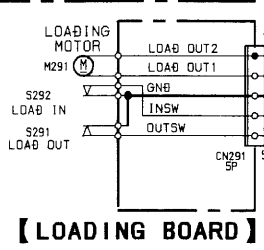
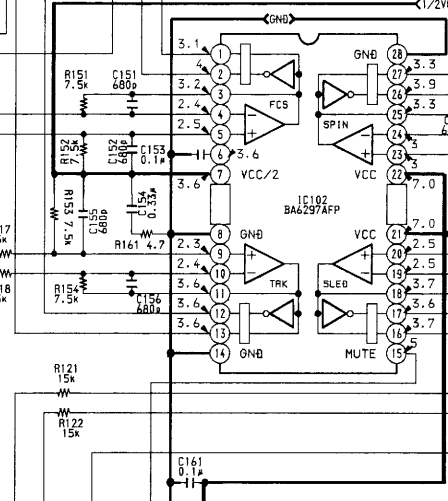
1

2

3

IC101
DIGITAL SERVO & DIGITAL SIGNAL PROCESSOR
 IC101 CX625150

4



E TO MAIN BOARD (3/3) CN202 (See page 28)

