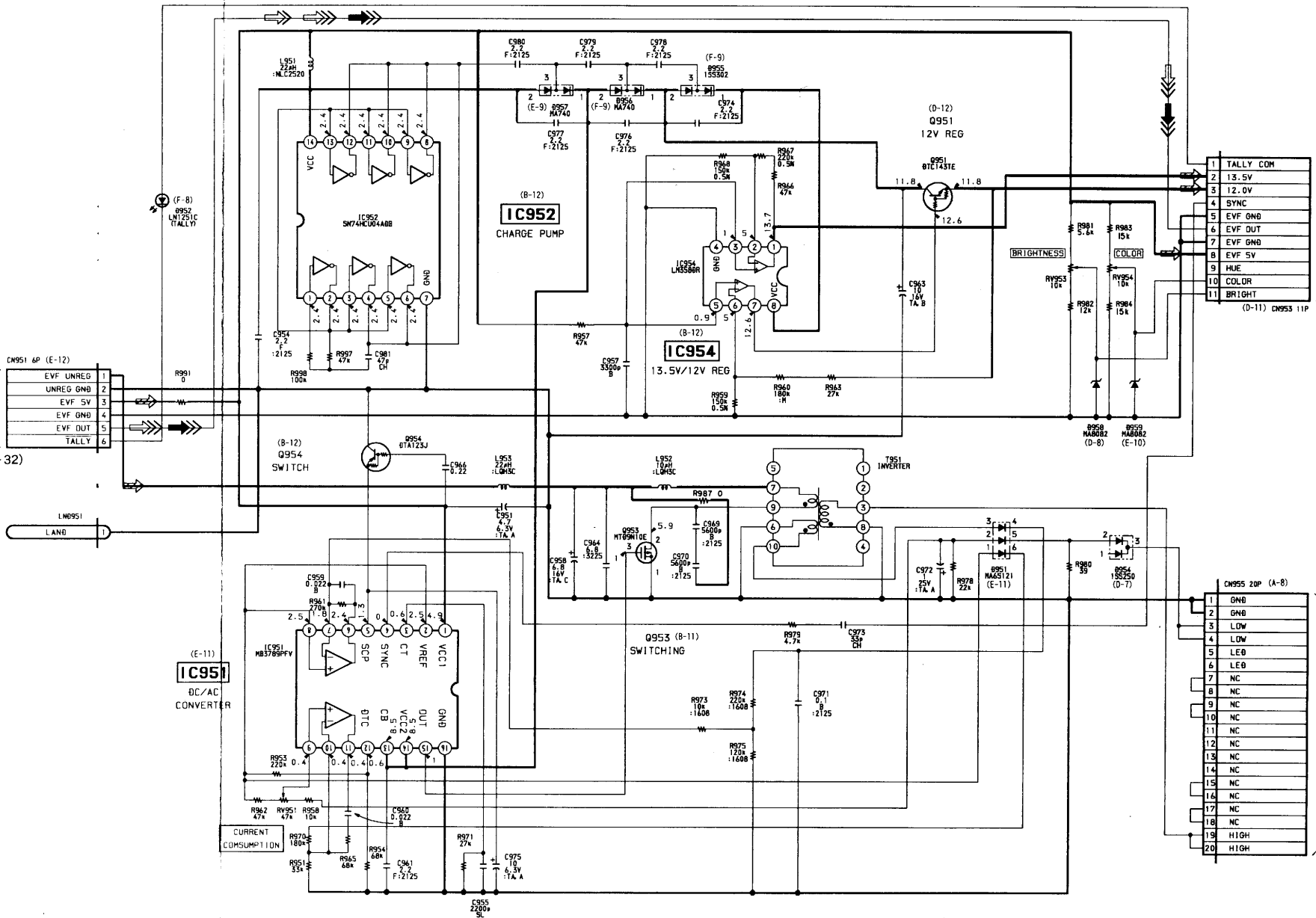


VF-69P



99 BOARD
502
Page 4-32)