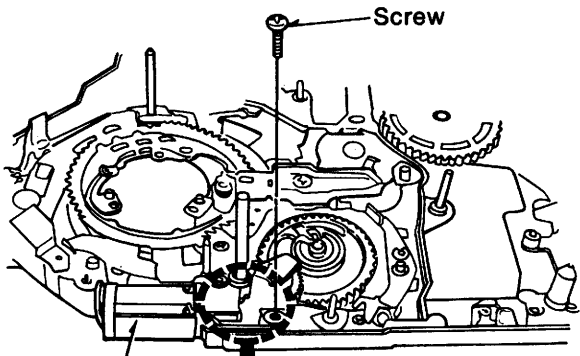


(T-Side)



Screw

Loading Motor Unit

(S-Side)

