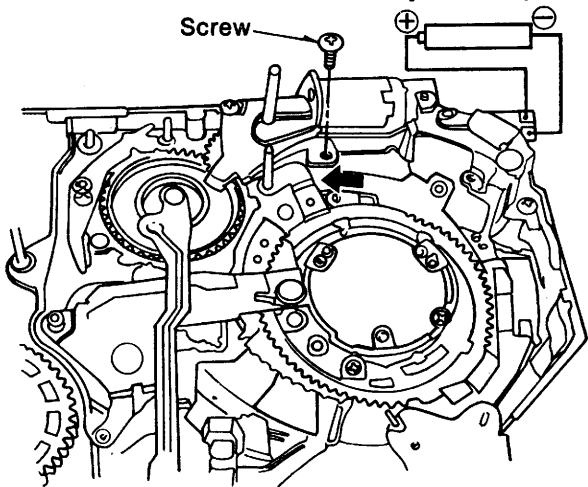


(S-Side)

[Unloading]

Screw



(T-Side)