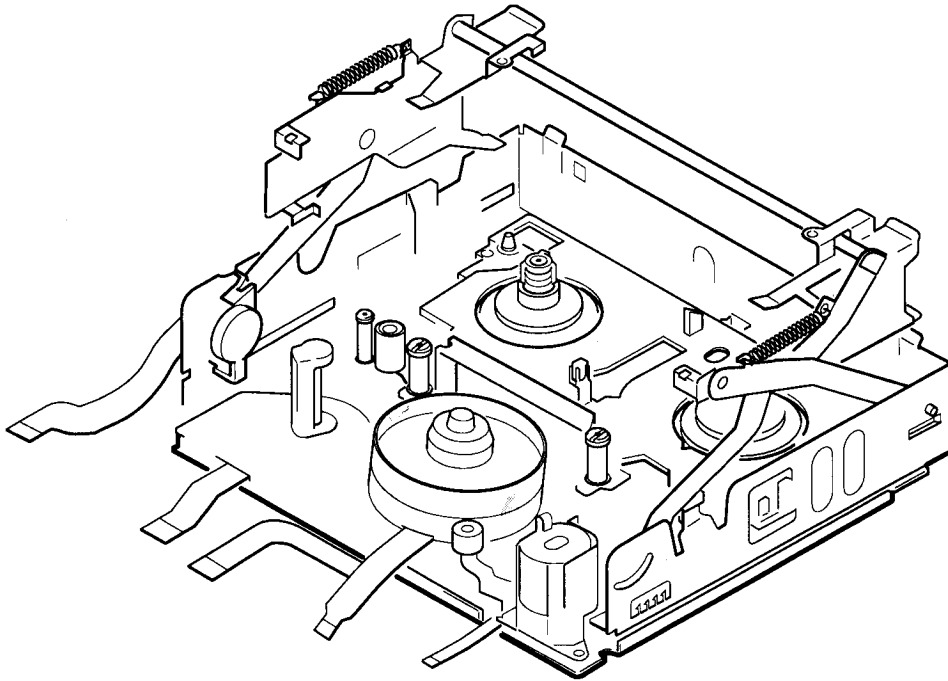


# 8mm Video MECHANICAL ADJUSTMENT MANUAL VII

## B MECHANISM

Video8

Use this mechanical adjustment manual VII together with the service manual of the respective models.



**8** MECHANISM DECK  
**SONY**