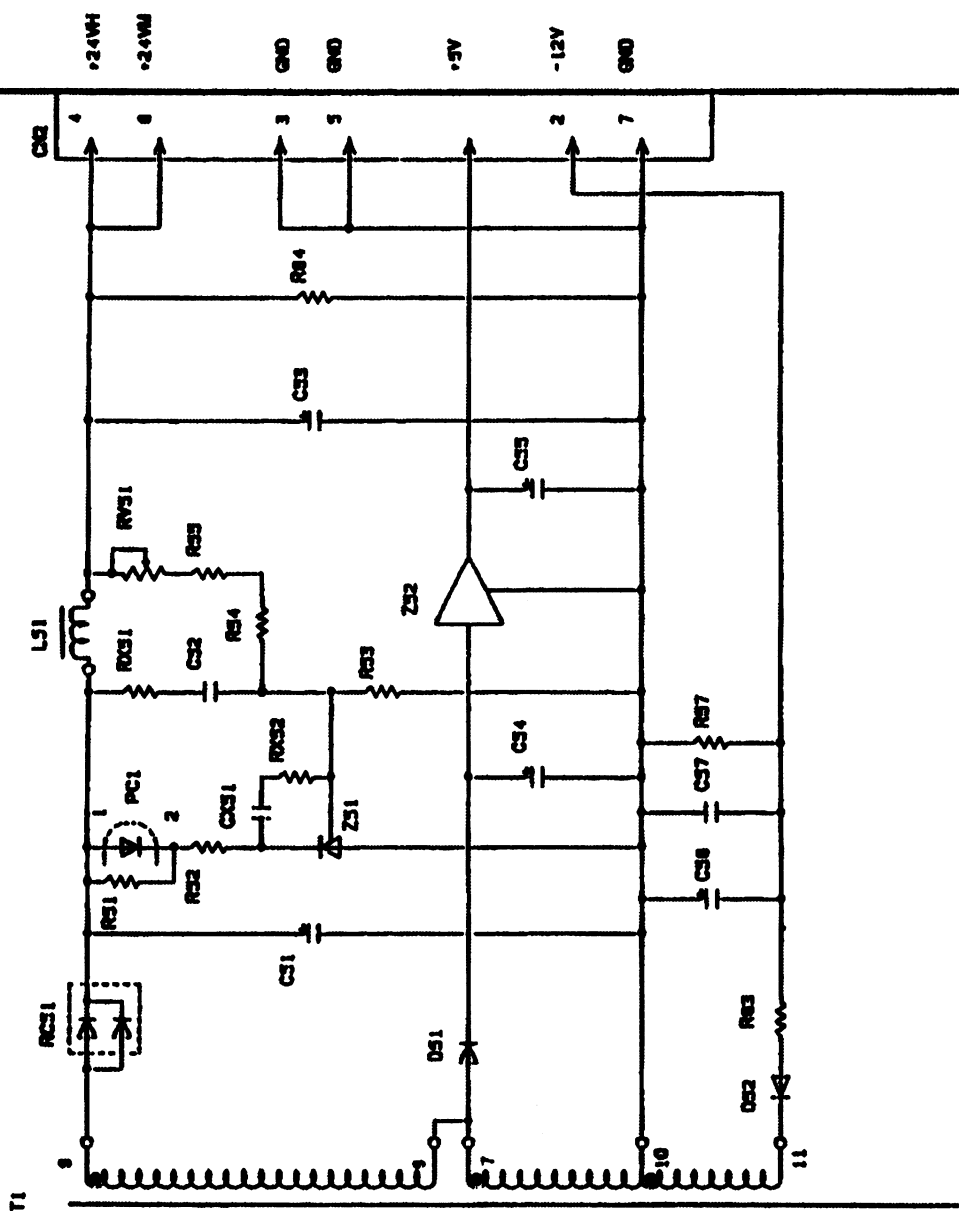


PKG1



T1

+24VH  
+24VH  
GND  
GND  
+5V  
-12V  
GND

