

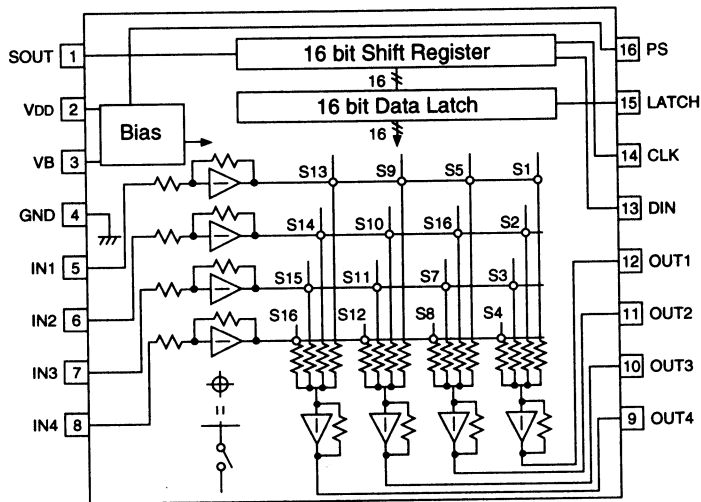
3.1.6 Cross-Point Mixer

(1) Block Explanation

BU8244F is the IC that equips functions of mixing and switching communication channel.

Four inputted signals are selected by cross point and mixing and then output to four output terminals.

(2) Block Diagram



BU8244F