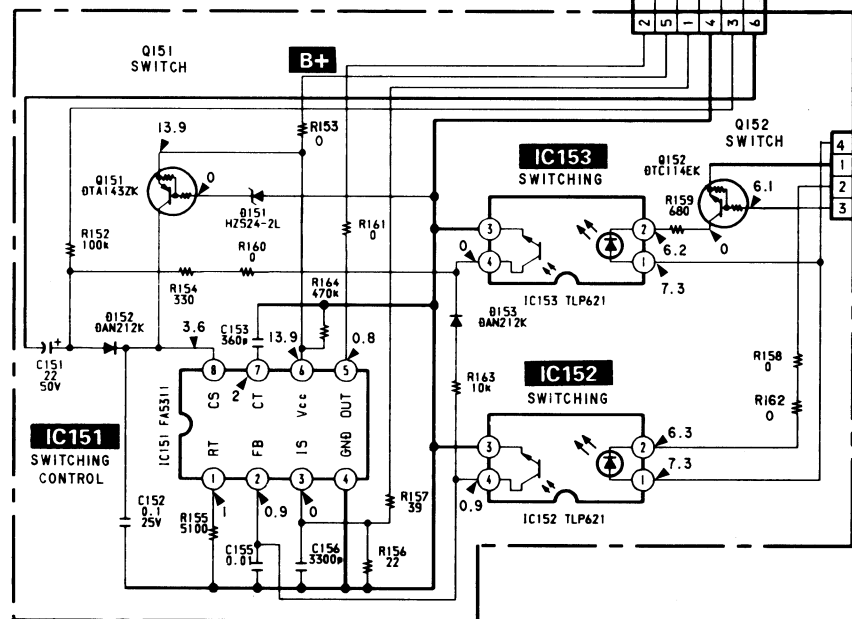
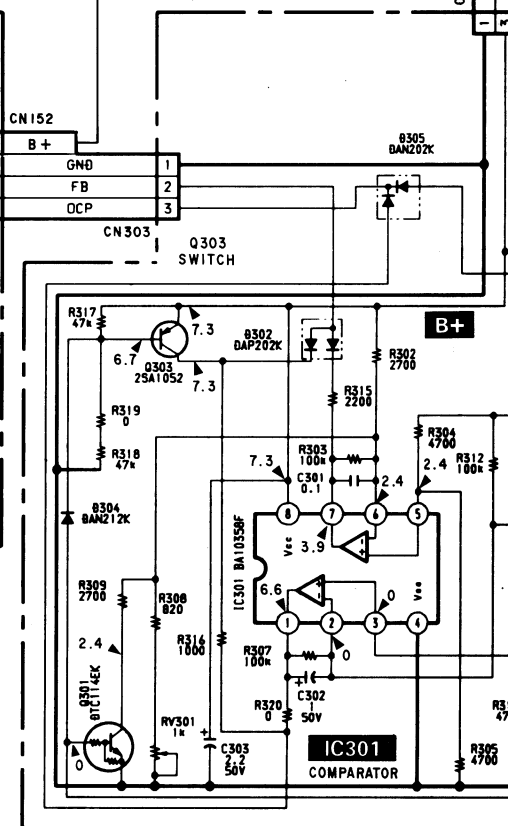


**MA-146 BOARD**



**CT-45 BOARD**



**CC-76 BOARD**