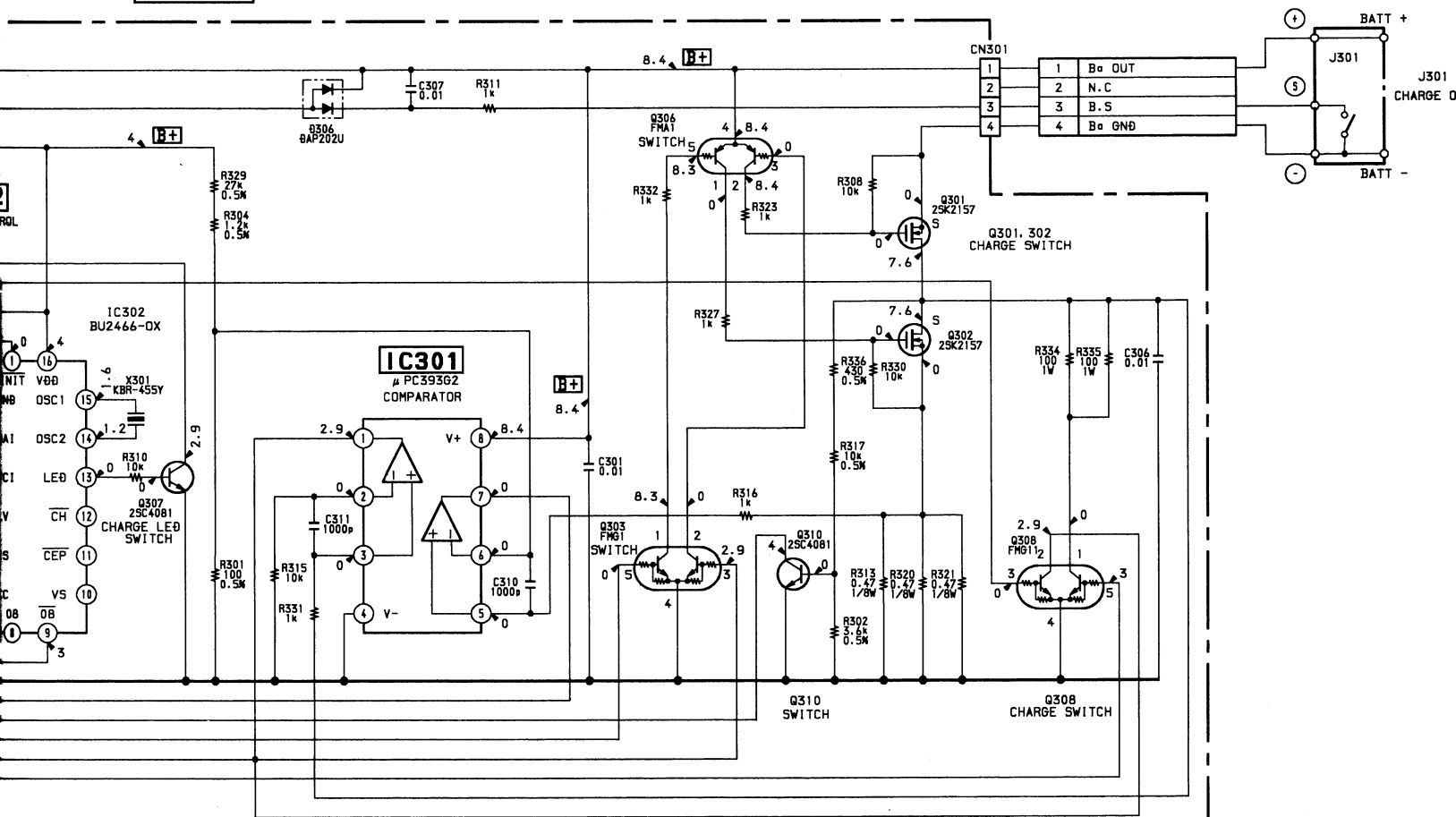
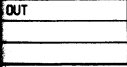
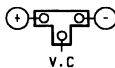


CNJ201

9C OUT
6.5V 1.5A



CH BOARD