

K1

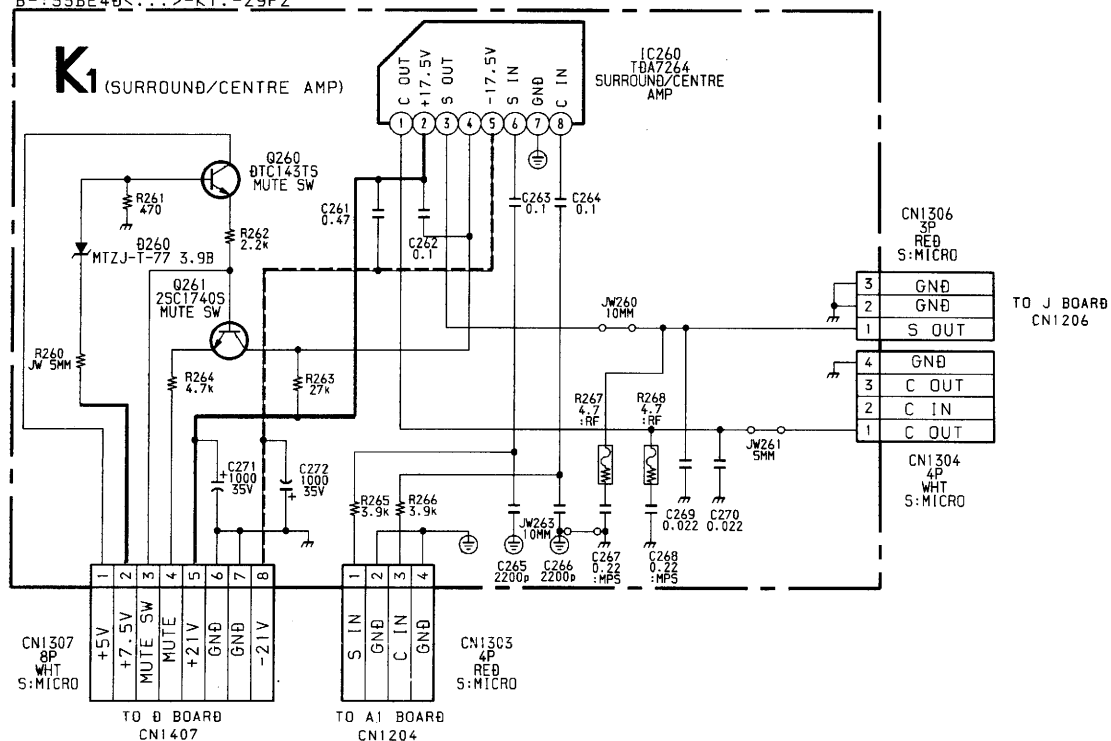
[SURROUND AND CENTRE AMP]

J

[AUDIO I/O]

A1[DIGITAL AUDIO
RAM, SURROU

B-:SSBE40<...>-K1.-29F2

**K1 BOARD IC VOLTAGE TABLE**

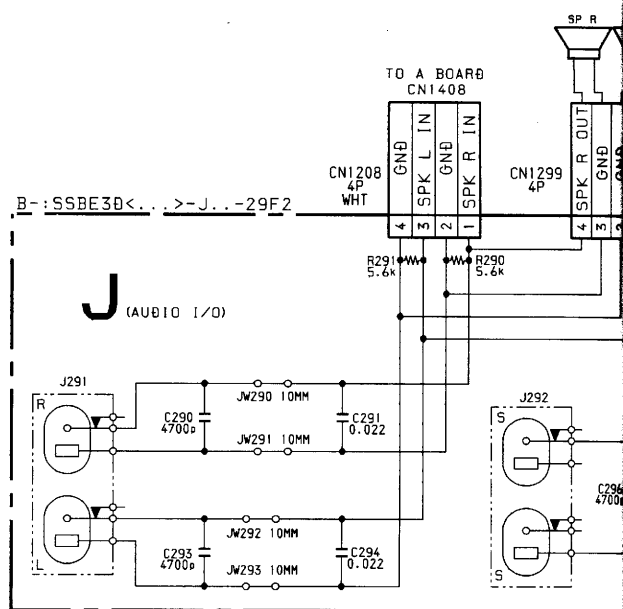
| IC Voltage Table | | |
|------------------|--------|-------------|
| Ref No | Pin No | Voltage (V) |
| IC260 | 2 | 21.7 |
| | 4 | 21.6 |
| | 5 | -21.8 |

K1 BOARD TRANSISTOR VOLTAGE TABLE

| Transistor Voltage Table | | | |
|--------------------------|--------|-------------|-----------|
| Ref No | B Base | C Collector | E Emitter |
| Q260 | 3.4 | 2.9 | 2.9 |
| Q261 | 2.9 | 21.6 | 4.8 |

A1 BOARD IC VOLTAGE TABLE

| IC Voltage Table | | |
|------------------|--------|-------------|
| Ref No | Pin No | Voltage (V) |
| IC1201 | 6 | 4.8 |
| | 9 | 4.8 |
| | 17 | 4.8 |
| | 26 | 3.5 |
| | 27 | 2.3 |
| | 28 | 4.8 |
| | 32 | 1.1 |
| | 33 | 4.8 |
| | 35 | 3.0 |
| | 36-40 | 4.8 |
| IC1202 | 43 | 4.8 |
| | 48 | 4.8 |
| | 53 | 4.8 |
| | 58 | 4.8 |
| IC1203 | 61 | 4.8 |
| | 70 | 4.8 |
| IC1204 | 77-78 | 4.8 |
| | 22 | 4.8 |
| IC1205 | 27-28 | 4.8 |
| | 5 | 5.0 |
| IC1206 | 6 | 2.5 |
| | 7 | 0.8 |
| IC1207 | 8 | 2.5 |
| | 5 | 5.0 |
| IC1208 | 6 | 2.5 |
| | 7 | 0.8 |
| IC1209 | 8 | 2.5 |
| | 1 | 2.3 |
| IC1210 | 2-3 | 2.5 |
| | 5-6 | 2.5 |
| IC1211 | 7 | 2.3 |
| | 8 | 5.0 |
| IC1212 | 1 | 2.3 |
| | 2-3 | 2.5 |
| IC1213 | 5-7 | 2.5 |
| | 8 | 5.0 |

**A1 Board <Conductor Side>**