

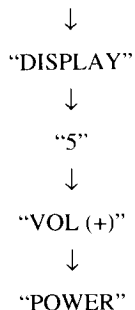
SECTION 4 CIRCUIT ADJUSTMENTS

4-1. ADJUSTMENTS WITH COMMANDER

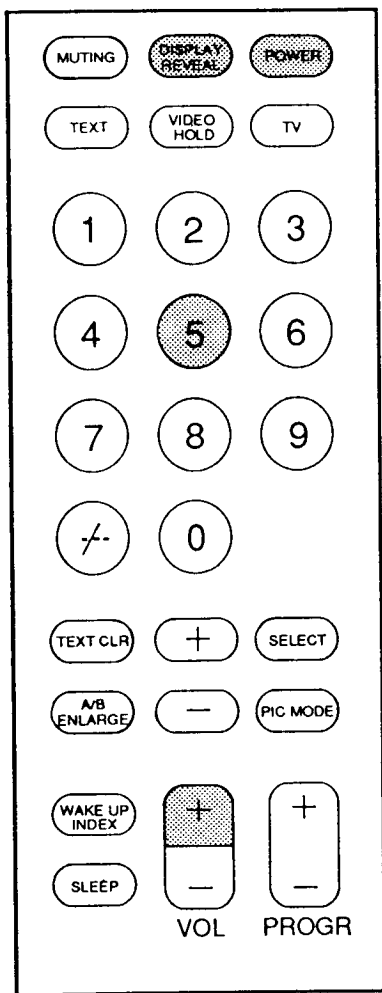
Service adjustments are made with the RM-870 that comes with this unit.

Entering service mode

With the unit on standby



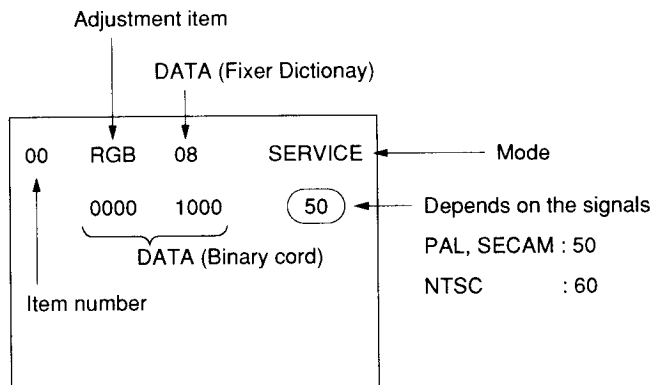
The operation sequence puts the unit into service mode.



"1", "4"	Raise/lower the service item number
"3", "6"	Raise/lower the data
"MUTING"	Writes
"0"	Executes the writing

"7", "0"	The data all becomes the values in memory
"8", "0"	User control all goes to the standard state
"5", "0"	Service data initialization (Besure not to use usually.)
"2", "0"	Write 50Hz adjustment data to 60Hz, or viceversa.

The screen display is :



"1", "4"	Select the adjustment item.
↓	
"3", "6"	Raise/lower the data.
↓	
"MUTING"	Writes
↓	
"0"	Executes the writing.