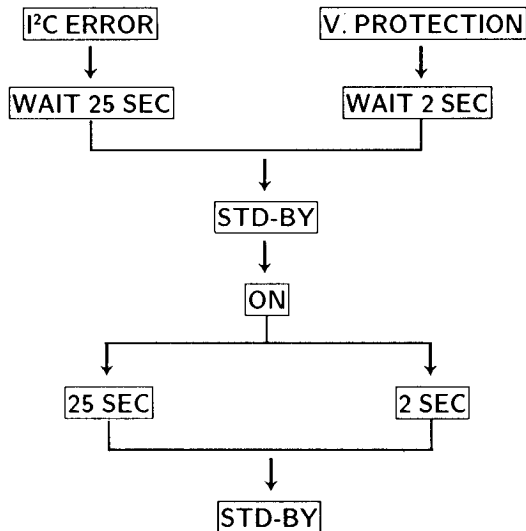


## 4-4. ERROR MESSAGE

Self diagnosis system can operate as follows.

- When MP can't get the acknowledge back from the device, LED starts flashing according to the table as attached.



In case of more errors in parallel, the blinking error shows max. Priority according to the error number (e.g. error 2 and error 5 appears together, then LEDs shows error 2) .

TABLE OF ERRORS

ERROR COUNT	IC TYPE	FUNCTION
1	I I C BUS	SDA low
2	X 24 C 16	EEPROM
3	SDA 3202	Tuner PII
4	TDA 9145	Colour decoder
5	CXA 1587S	RGB/Jungle
6	TDA 6612	Sound processor
7	CXD 2018	V deflection
8	CXA 1545	AV switch
11	SDA 5248	Text
13		V protection

Stand by LED blinking

No IK return

## 4-5. ERROR I I C BUS DIAGNOSIS SYSTEM IN AE2 CHASSIS

For all ICs in AE 2 chassis which are necessary to get picture and sound there is a built in error I I C Bus diagnosis system.

In case of no acknowledge bit, LED A and LED B starts blinking as shown.

