

TBC C OUT	5
GND	6
TBC C IN	7
GND	8
S.C REF	9
GND	10
TBC SYNC	11
GND	12

P9001-① PLAY
1.0Vp-p (H-RATE)

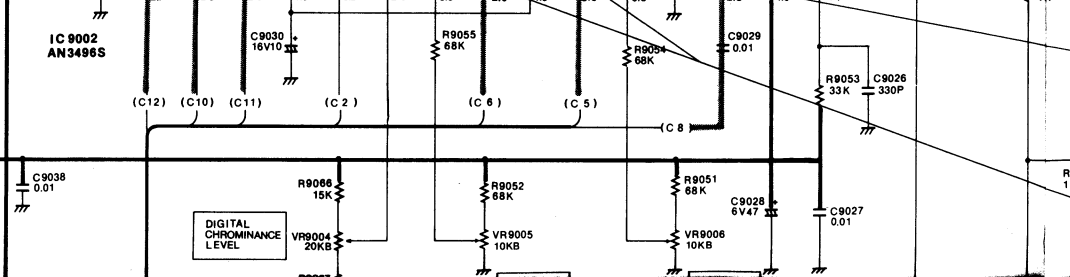
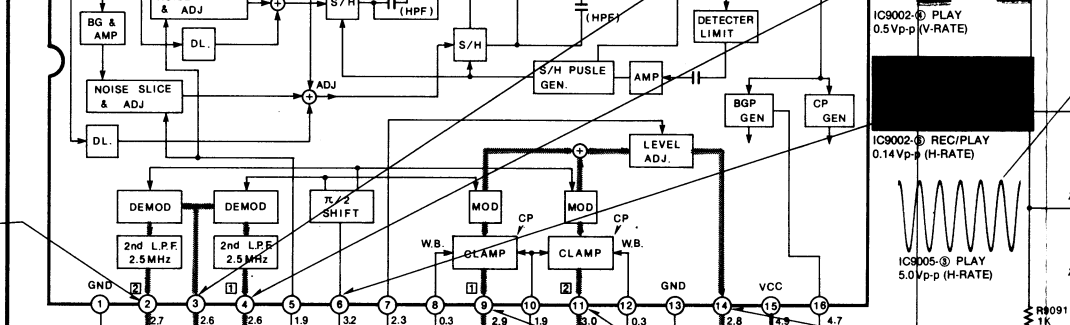
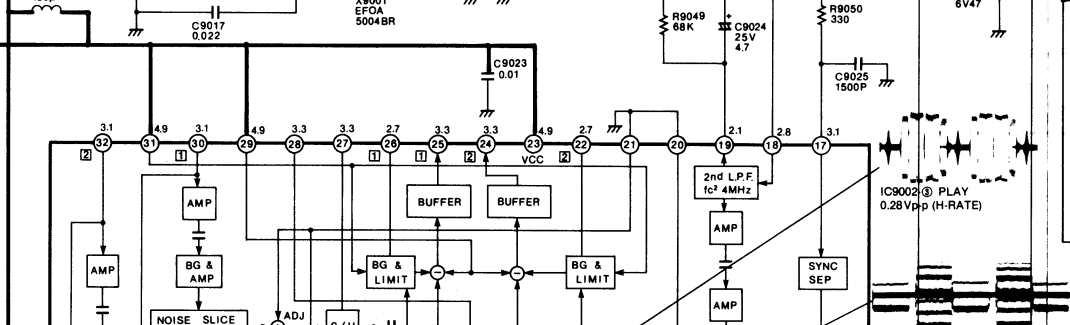
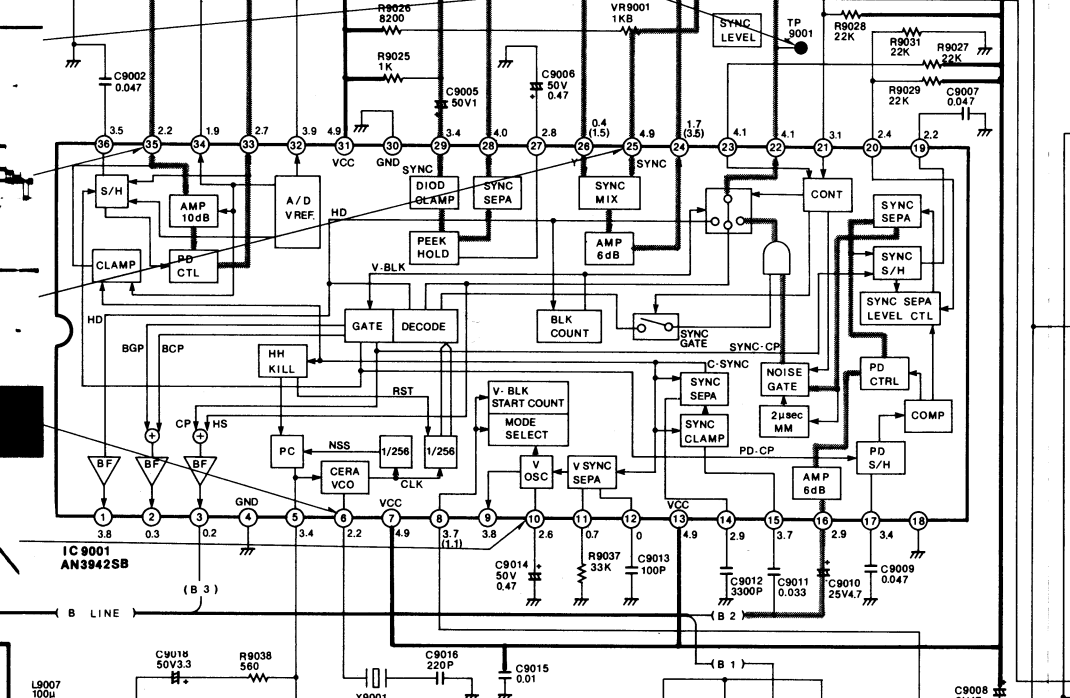
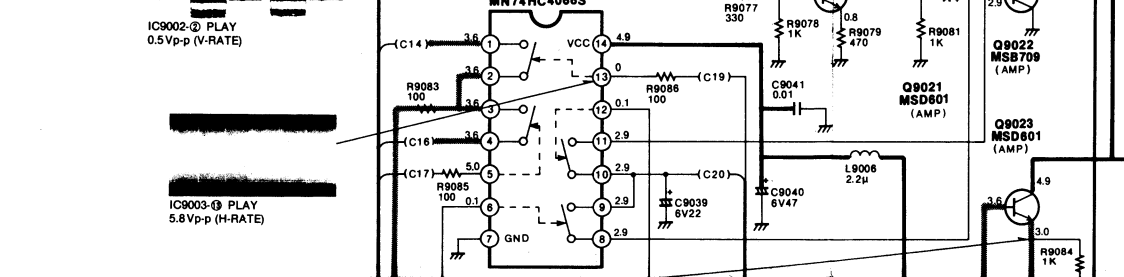
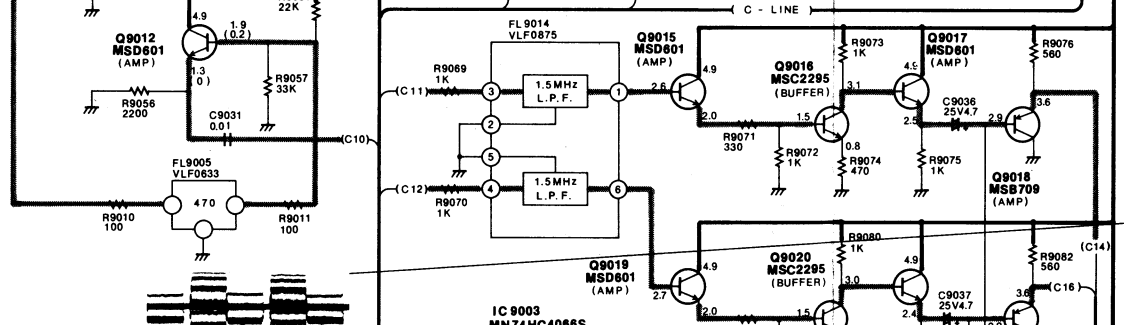
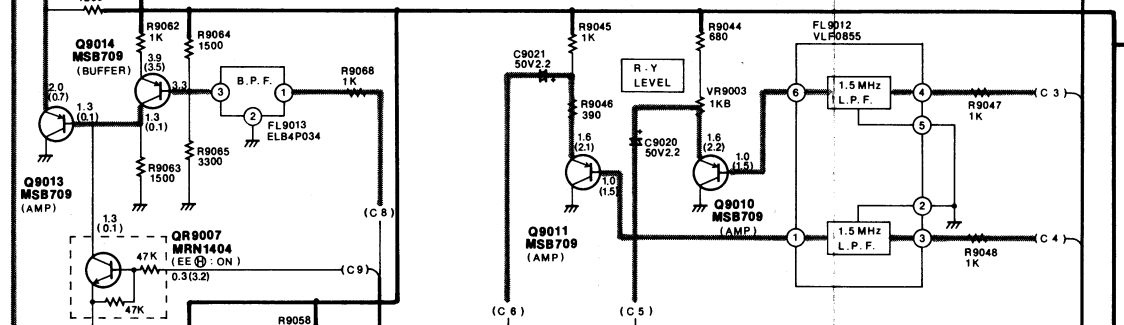
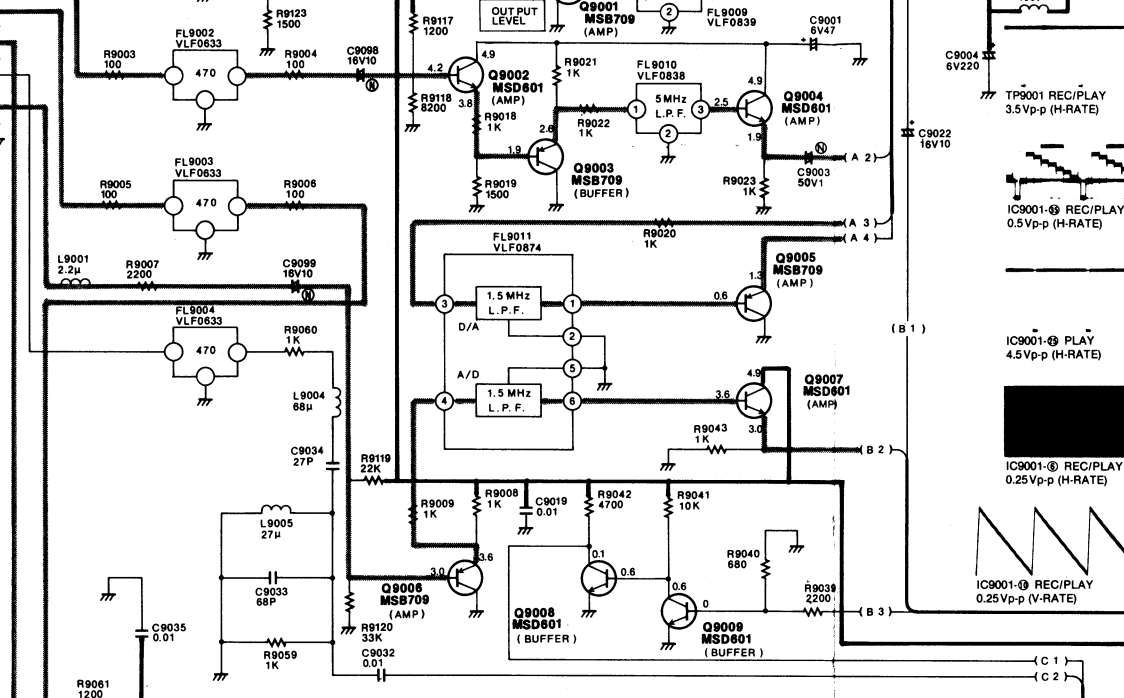
P9001-② (H-RATE)
REC: 1.0Vp-p
PLAY: 1.2Vp-p

P9001-③ REC
0.04Vp-p (H-RATE)

P9001-④ PLAY
0.25Vp-p (H-RATE)

P9001-⑤ PLAY
0.3Vp-p (H-RATE)

P9001-⑥ (H-RATE)
REC: 0.42Vp-p
PLAY: 0.5Vp-p



TO LUMINANCE & CHROMINANCE SECTION P3006 (Page: 4-10/F-4)

P9001-① PLAY
1.0Vp-p (H-RATE)

P9001-② (H-RATE)
REC: 1.0Vp-p
PLAY: 1.2Vp-p

P9001-③ REC
0.04Vp-p (H-RATE)

P9001-④ PLAY
0.25Vp-p (H-RATE)

P9001-⑤ PLAY
0.3Vp-p (H-RATE)

P9001-⑥ (H-RATE)
REC: 0.42Vp-p
PLAY: 0.5Vp-p

P9001-⑦ PLAY
0.5Vp-p (H-RATE)

P9001-⑧ PLAY
0.28Vp-p (H-RATE)

P9001-⑨ PLAY
0.5Vp-p (H-RATE)

P9001-⑩ PLAY
5.8Vp-p (H-RATE)

P9001-⑪ PLAY
5.8Vp-p (H-RATE)

P9001-⑫ PLAY
5.8Vp-p (H-RATE)

P9001-⑬ PLAY
5.8Vp-p (H-RATE)

P9001-⑭ PLAY
5.8Vp-p (H-RATE)

P9001-⑮ PLAY
5.8Vp-p (H-RATE)

P9001-⑯ PLAY
5.8Vp-p (H-RATE)

P9001-⑰ PLAY
5.8Vp-p (H-RATE)

P9001-⑱ PLAY
5.8Vp-p (H-RATE)

P9001-⑲ PLAY
5.8Vp-p (H-RATE)

P9001-⑳ PLAY
5.8Vp-p (H-RATE)

P9001-㉑ PLAY
5.8Vp-p (H-RATE)

P9001-㉒ PLAY
5.8Vp-p (H-RATE)

P9001-㉓ PLAY
5.8Vp-p (H-RATE)

P9001-㉔ PLAY
5.8Vp-p (H-RATE)

P9001-㉕ PLAY
5.8Vp-p (H-RATE)

P9001-㉖ PLAY
5.8Vp-p (H-RATE)

P9001-㉗ PLAY
5.8Vp-p (H-RATE)

P9001-㉘ PLAY
5.8Vp-p (H-RATE)

P9001-㉙ PLAY
5.8Vp-p (H-RATE)